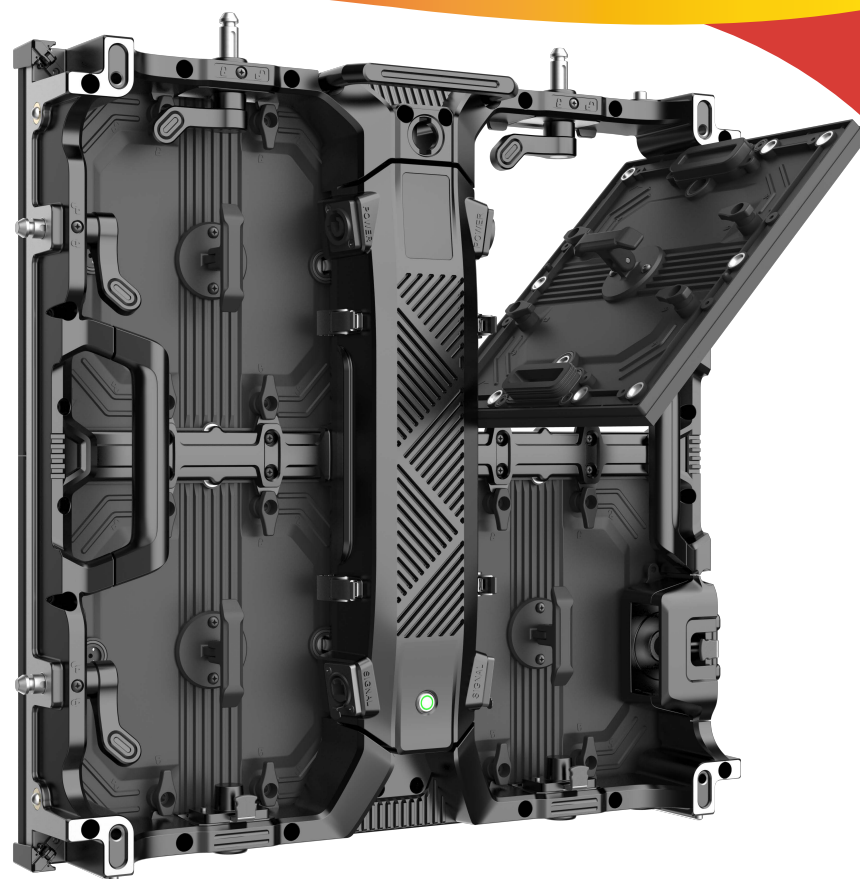
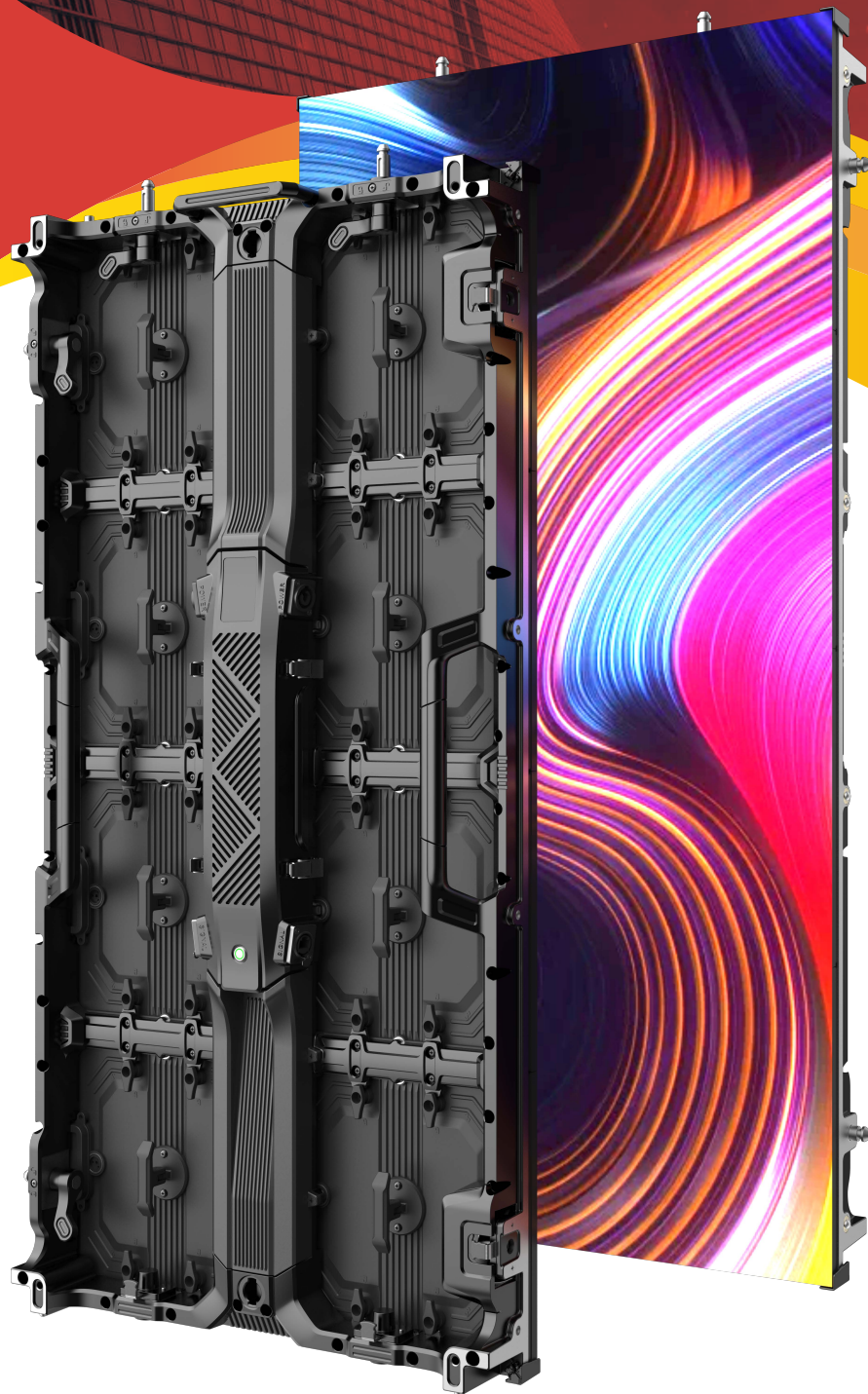




SHENZHEN LIKELED TECHNOLOGY CO.,LTD

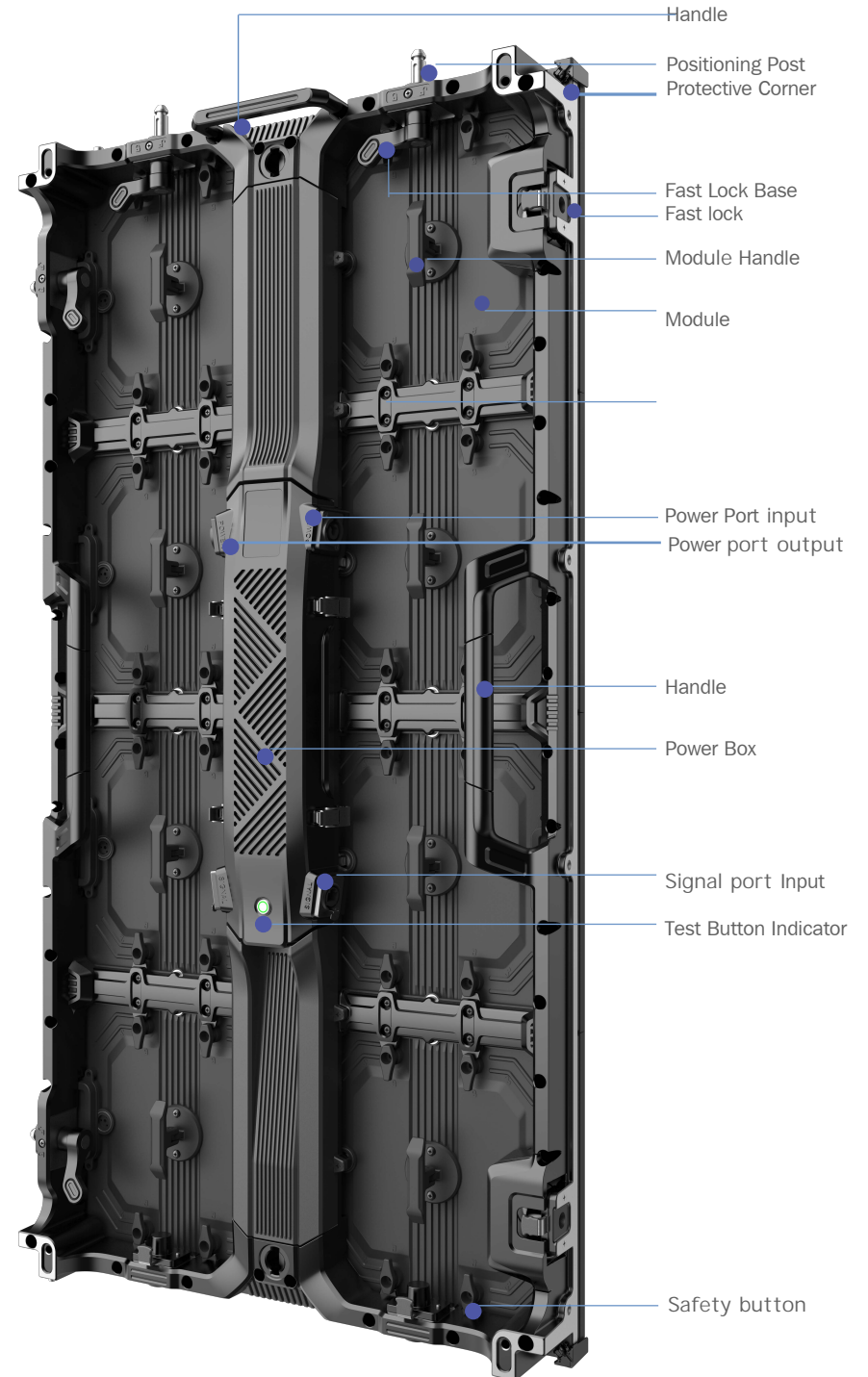
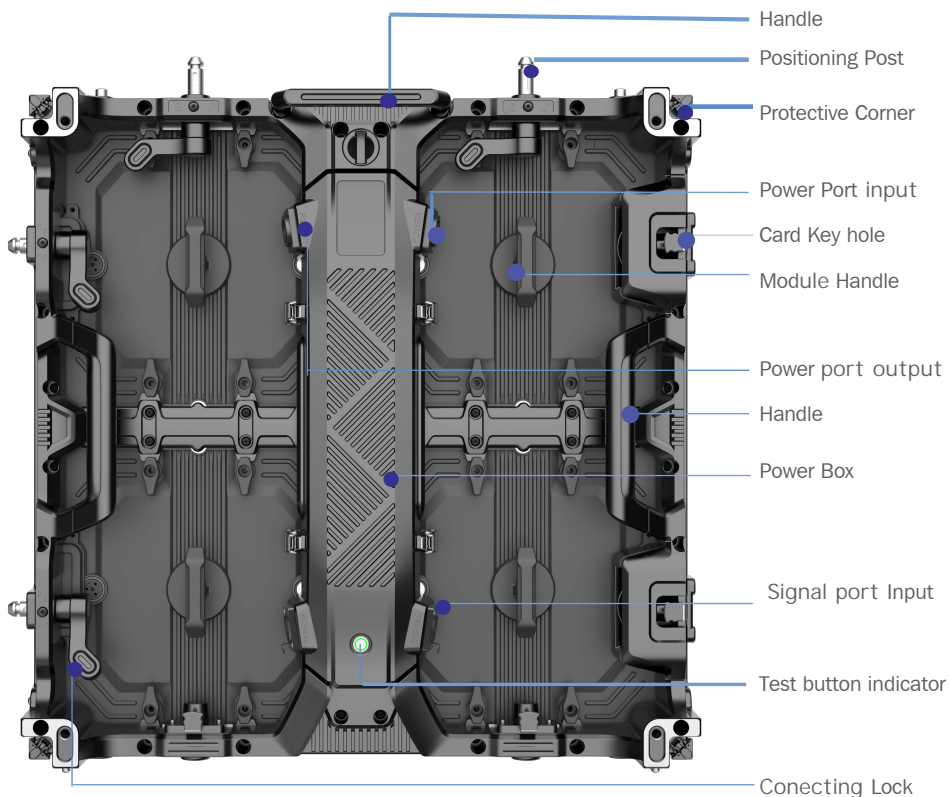
RENTAL SERIES

(OUTDOOR / INDOOR) Total LED Solutions Provider



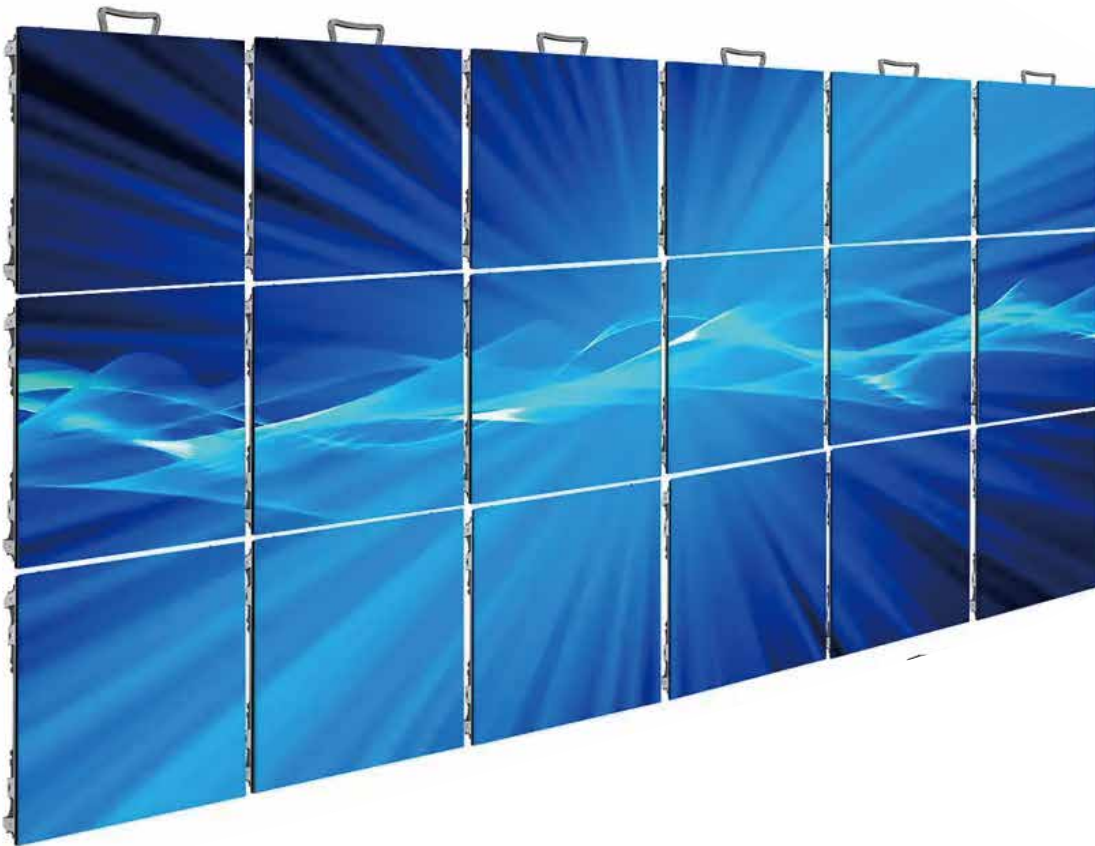
Product Information

- Cabinet size:500×500×75mm/500×1000×80mm
- Module size:250×250mm
- Weight:6.8kg / 12.5kg
- Indoor (mm):P1.95 / P2.6 / P2.97 / P3.9
- Outdoor (mm):P2.97 / P3.9 / P4.8
- White balance brightness:5500-6500nits
- Input:AC100-240v 50/60HZ
- Maintenance Method:Front /Rear maintenance
- Material: Die-cast aluminum
- Use environment:Indoor/Outdoor
- Curving (concave&convex) :
(±15°±6°±3°/0°) optional

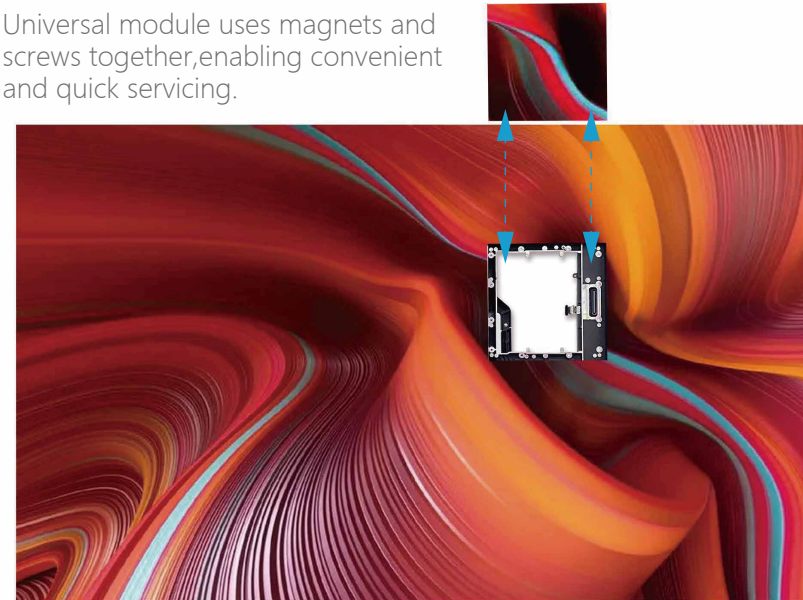


Outstanding Visual Performance

- High quality Rental led panels, stable and high durability.
- Without ghosting, clear and clean.
- High contrast to 2,000:1, vivid color.
- 3840hz refresh rate for high dynamic range pictures.
- CNC machined aluminum alloy frame ensures an extremely high precision and perfect flatness.

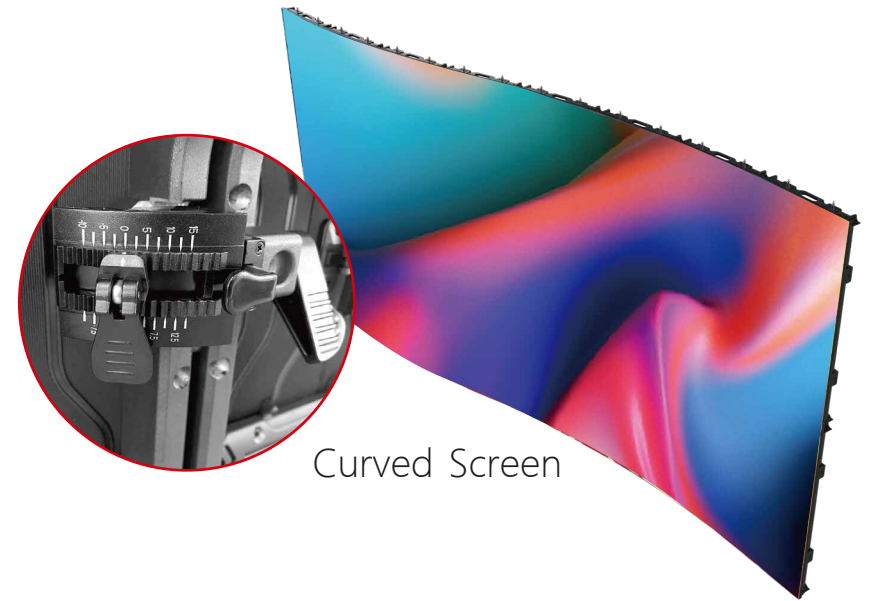


Universal module uses magnets and screws together, enabling convenient and quick servicing.

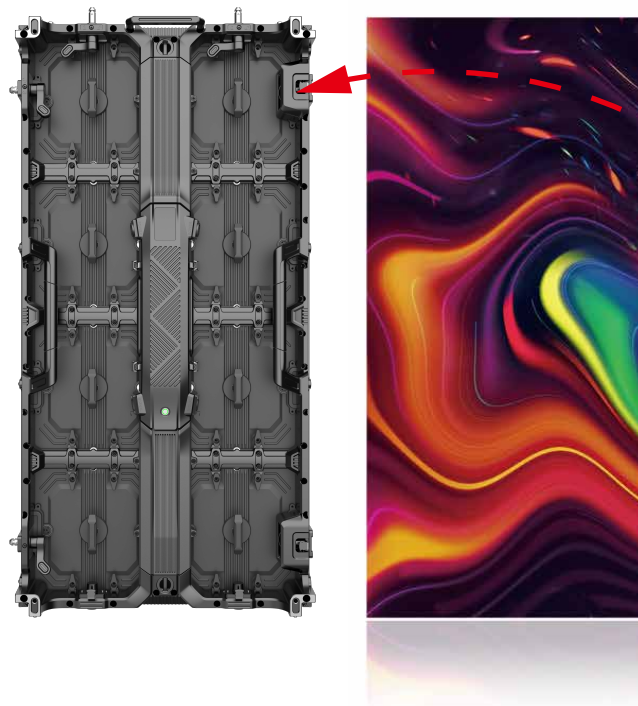


Curved Lock System

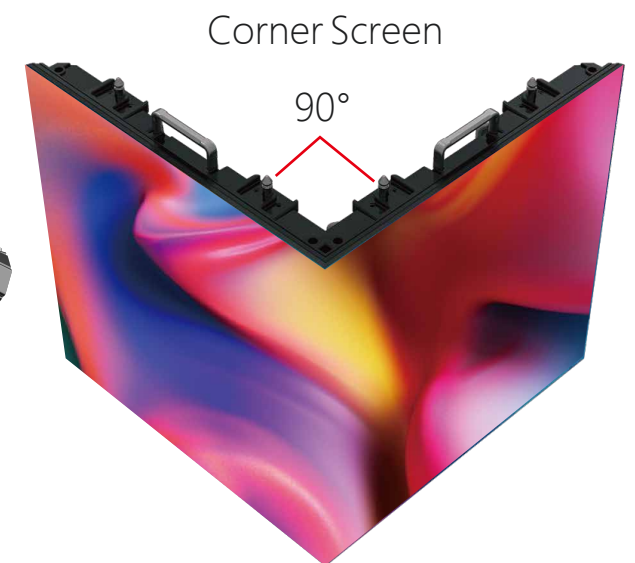
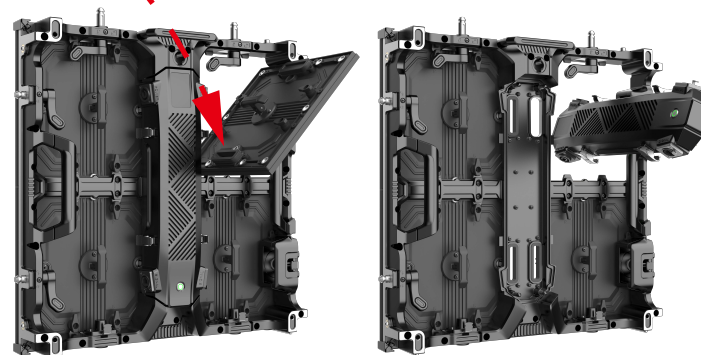
- Unique curved connection design.
- Support concave and convex connection.
- Support $(\pm 15^\circ \pm 6^\circ \pm 3^\circ / 0^\circ)$ arc adjustable.
- Each module is modular in design and fully compatible with the large or small cabinet frame.



Curved Screen



Universal Module

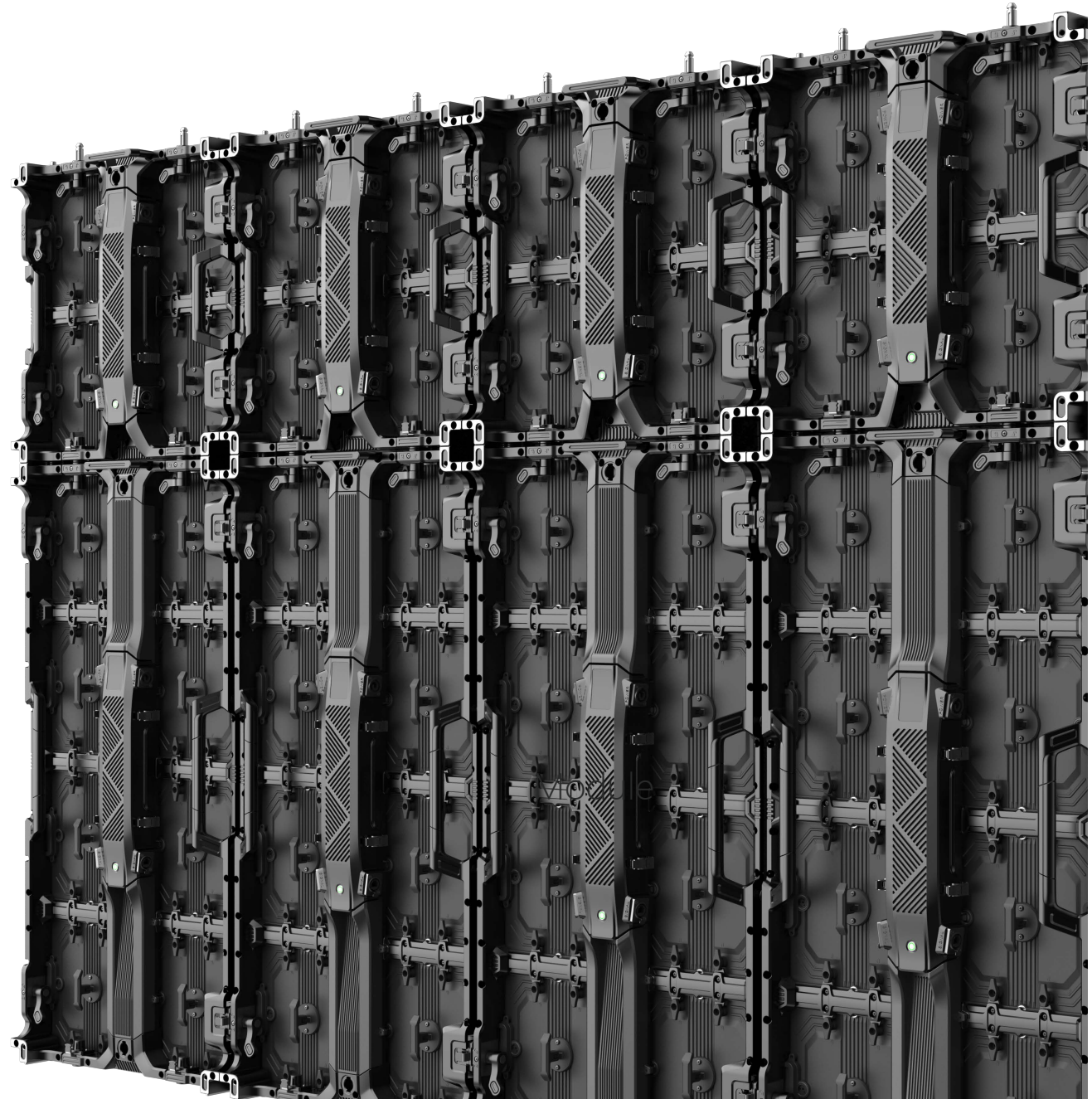


Corner Screen

90°

Fast Installation/Easy Maintenance

- 1 person could handle and quick disassembly ,installation easily
- Fast locks could be easily locked and unlocked.
- Extra rear handle design, independent power box. Modular design,
- pin connection, corners protection.



»»» **Scope Of Application**

- Suit for advertisement, stadium, exhibition, TV-Show, mansion, video wall, shopping mall, banks, schools, bus station, airport, gym, market, factories, monitoring centers, hospital, bar etc.



Technical parameter: (Indoor rental)

Pixel Pitch	1.95mm	2.6mm	2.97mm	3.9mm
Pixel Structure	3INI SMD	3INI SMD	3INI SMD	3INI SMD
Pixel Density	262144/m ²	147474/m ²	113367/m ²	65536/m ²
Module Resolution	128(W) *128(H) dots	96 (W) *96 (H) dots	84 (W) *84 (H) dots	64 (W) *64 (H) dots
Module Size (WXH)	250mm*250mm	250mm*250mm	250mm*250mm	250mm*250mm
White Balance Brightness	800-1000cd/m ²	800-1000cd/m ²	800-1000cd/m ²	800-1000cd/m ²
Color Temperature	2000K—12500K	2000K—12500K	2000K—12500K	2000K—12500K
Horizontal Viewing Angle	≥160°	≥160°	≥160°	≥160°
Vertical Viewing Angle	≥140°	≥140°	≥140°	≥140°
Optimal Viewing Distance	≥2meters	≥3meters	≥3 meters	≥4 meters
Contrast	≥5000:1	≥5000:1	≥5000:1	≥5000:1
Grayscale	12-14Bit	12-14Bit	12-14Bit	12-14Bit
Refresh Rate	≥3840HZ	≥3840HZ	≥3840HZ	≥3840HZ
Continuous Working Time	≥72H	≥72H	≥72H	≥72H
Life Span	100, 000 H	100, 000 H	100, 000 H	100, 000 H
Protection Class	IP20	IP20	IP20	IP20
Operating Voltage	DC 4.2-5V	DC 4.2-5V	DC 4.2-5V	DC 4.2-5V
Maximum Power Consumption	700W/m ²	700W/m ²	700W/m ²	700W/m ²
Average Power Consumption	260W/m ²	260W/m ²	260W/m ²	260W/m ²

Technical parameter: (Outdoor rental)

Pixel Pitch	2.97mm	3.9mm	4.8mm
Pixel Structure	3INI SMD	3INI SMD	3INI SMD
Pixel Density	113367/m ²	65536/m ²	43264/m ²
Module Resolution	84 (W) *84 (H) dots	64 (W) *64 (H) dots	52 (W) *52 (H) dots
Module Size (WXH)	250mm*250mm	250mm*250mm	250mm*250mm
White Balance Brightness	5500-6500cd/m ²	5500-6500cd/m ²	5500-6500cd/m ²
Color Temperature	2000K—12500K	2000K—12500K	2000K—12500K
Horizontal Viewing Angle	≥160°	≥160°	≥160°
Vertical Viewing Angle	≥140°	≥140°	≥140°
Optimal Viewing Distance	≥3meters	≥4 meters	≥5 meters
Contrast	≥5000:1	≥5000:1	≥5000:1
Grayscale	12-14Bit	12-14Bit	12-14Bit
Refresh Rate	≥3840HZ	≥3840HZ	≥3840HZ
Continuous Working Time	≥72H	≥72H	≥72H
Life Span	100, 000 H	100, 000 H	100, 000 H
Protection Class	IP65	IP65	IP65
Operating Voltage	DC 4.2-5V	DC 4.2-5V	DC 4.2-5V
Maximum Power Consumption	850W/m ²	850W/m ²	850W/m ²
Average Power Consumption	300W/m ²	300W/m ²	300W/m ²

SHENZHEN LIKELED TECHNOLOGY CO.,LTD

Add.: 3rd Floor,Building 1,Hongfa Gaoxin Park,Shiyan Street,Baoan District,Shenzhen,Guangdong,China

Email:service@likeled.cn

Website(INT): www.likeled.cn/

